



Low Water Cut-Offs – Float Type For Hot Water Boilers

Series 63

Low Water Cut-Offs

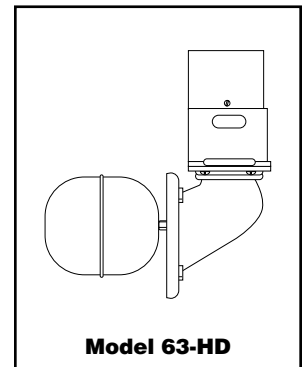


Series 63

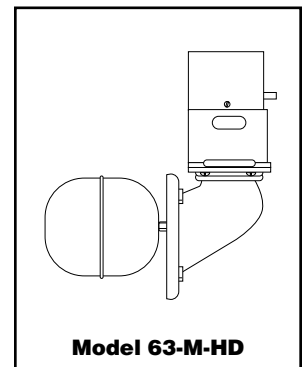
Replacement Head Mechanisms

For Model	Repl. Head Model No.	Part Number	Description	Weight lbs. (kg)
63	63-HD	142600	Head mechanism w/ No. 2 switch	7.0 (3.2)
63-B				
63-BM	63-M-HD	143200	63-HD w/manual reset	7.0 (3.2)
63-M				

Head mechanisms include a gasket and bolts.



Model 63-HD



Model 63-M-HD

Components (shown on page 9)

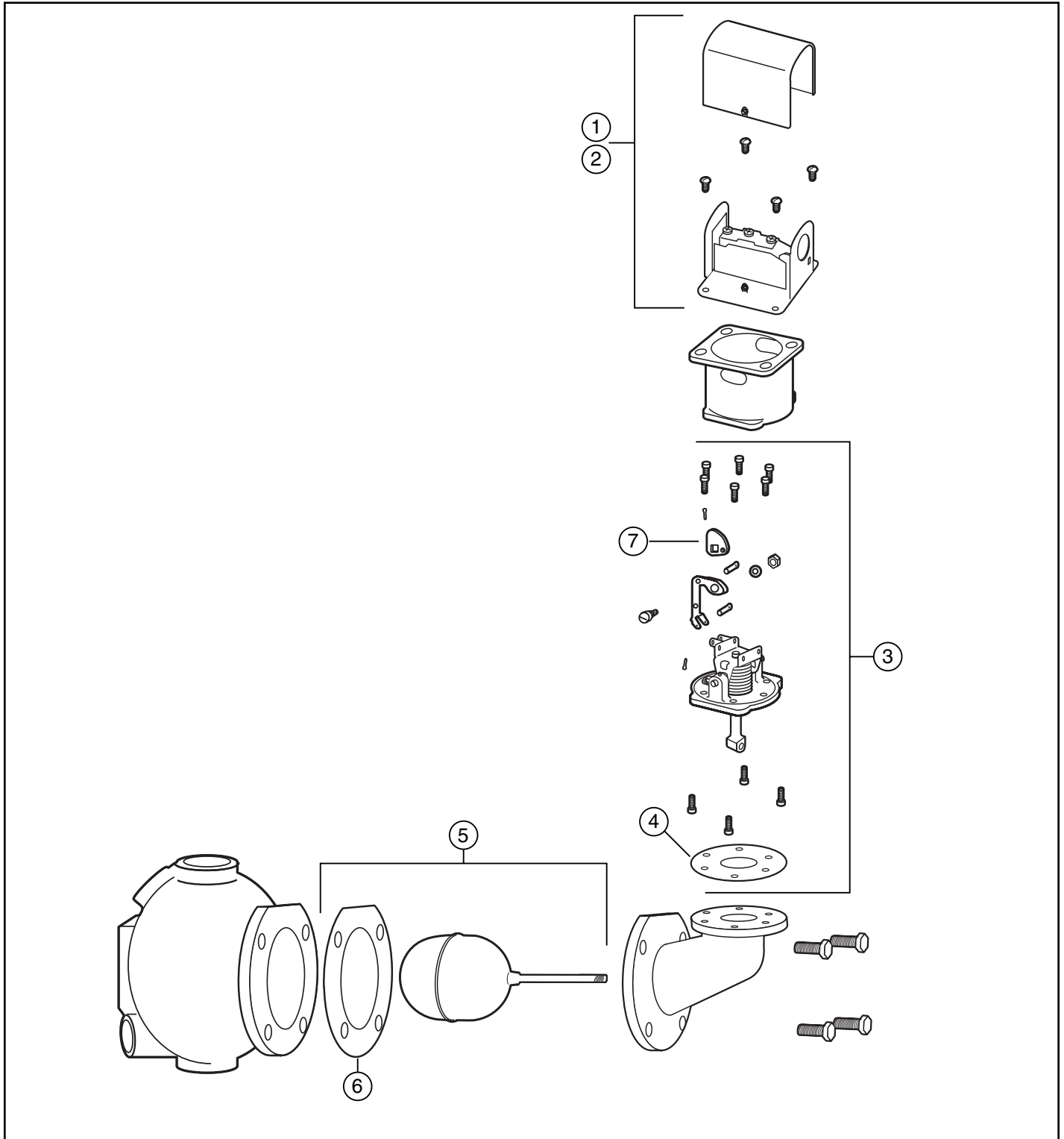
Item Number	Part Number	Model Number	Description	Weight lbs. (kg)
1	110000	2	Switch	1.0 (0.5)
2	110100	2-M	Switch w/manual reset	1.0 (0.5)
3	343200	SA63-5	Bellows assembly	1.5 (7.3)
4	302500	CO-11	Gasket	0.1 (.05)
5	343400	SA63-30	Float	1.0 (0.5)
6	302600	CO-12	Head gasket	0.1 (.05)
7	302900	CO-106	Cam	0.1 (.05)



Low Water Cut-Offs – Float Type For Hot Water Boilers

Series 63 (continued) Low Water Cut-Offs

Components



BOILER CONTROLS